



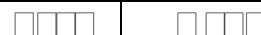
DATA SHEET

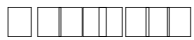
SPEC. NO. : SZ20060501
DATE : 2022/11/25
REV. : A/1

Approved By:

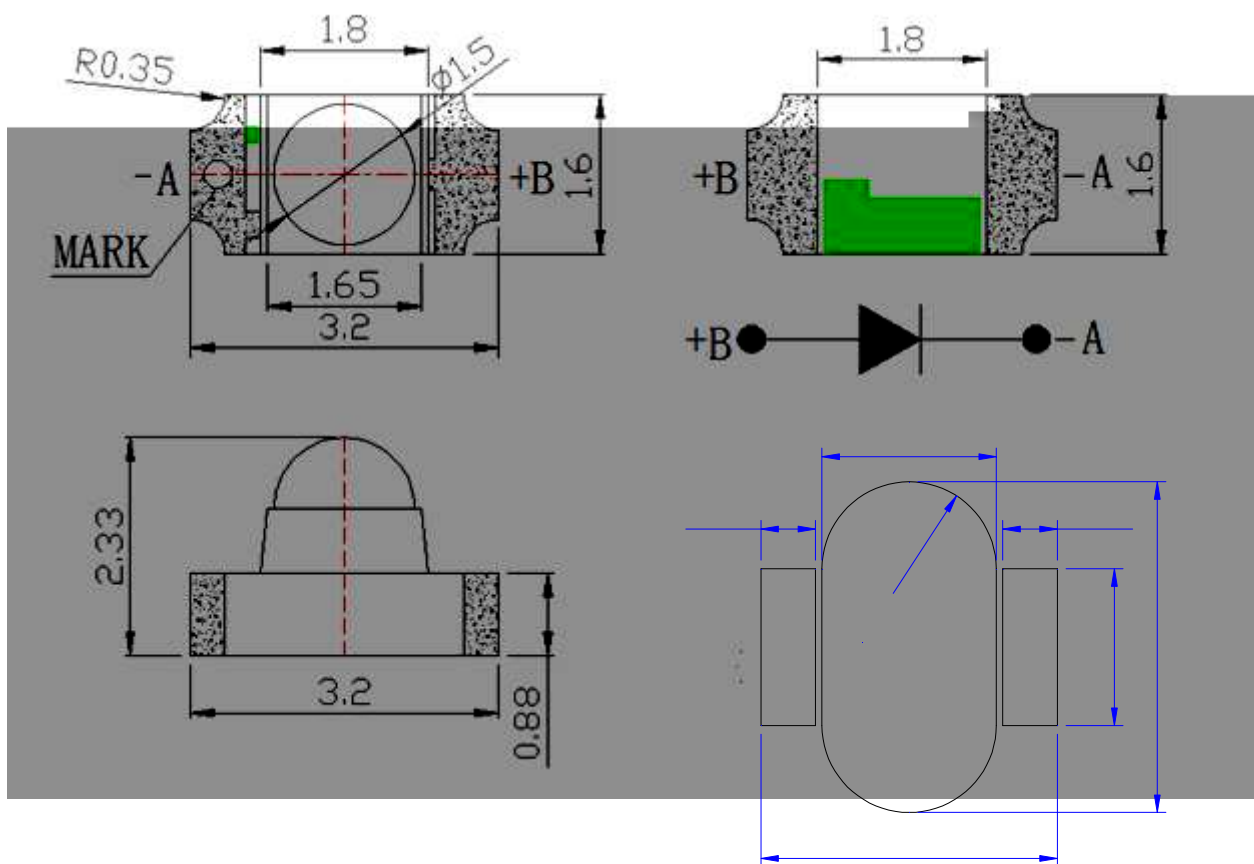
Checked By:

Prepared By:





- Pb free product—RoHS compliant
- Low power consumption, High efficiency
- Reliable and rugged
- Long life – solid state reliability
- Good spectral matching to Si photo detector



Part NO.	Chip Material	Lens Color
SL-T3216IRC020-L233-R	AlGaAs	Water Clear



1. All dimensions are in millimeters.
2. Tolerance is $\pm 0.10\text{mm}$ unless otherwise noted.
3. Specifications are subject to change without notice.





□□□□□□ □□□□□□□□ □□□□□ □□□□□□□□□□ □□□□□
(□□ □□ □□□□□□ □□□□□□ □□□□□ □□□□ □□□□□)

