

# LIGHT



□

□

□

□

□

\_\_\_\_\_  
\_\_\_\_\_  
\_\_\_\_\_

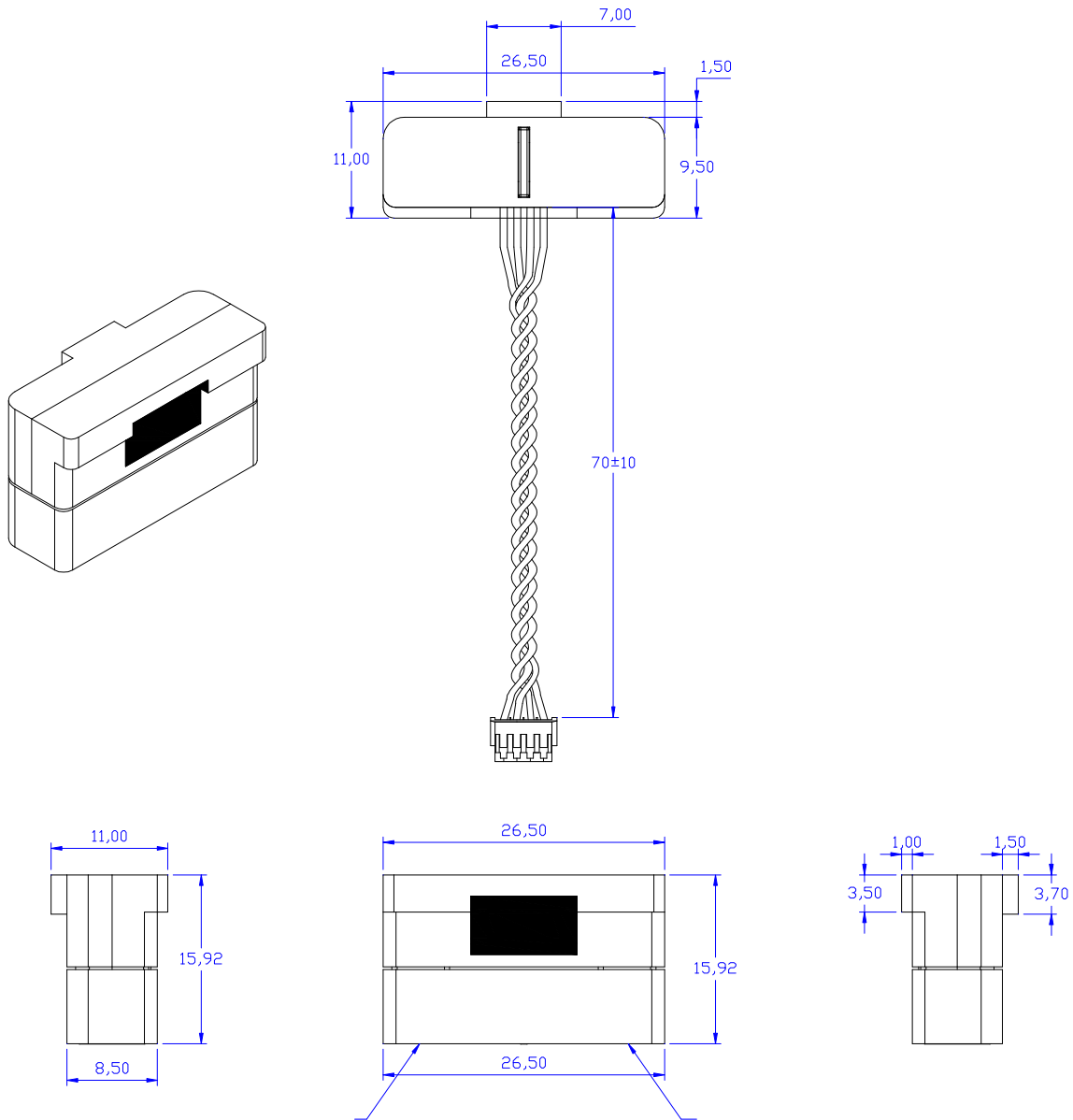
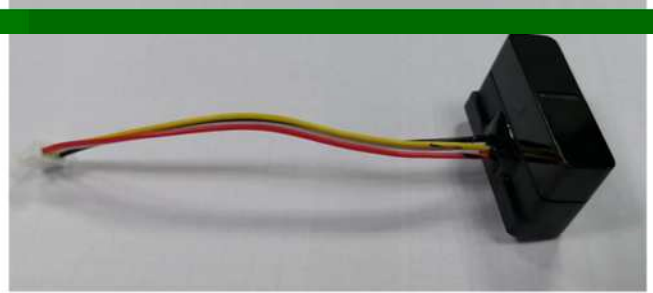
□

□

□

--	--	--	--

### Dimensions of Module



**Notes:**

1. All dimensions are in millimeters.
2. Tolerance is ±0.50mm unless otherwise noted.

4. Specifications are subject to change without notice.

保潔



