

LG-ITR2C-502725-3.1

DATA SHEET

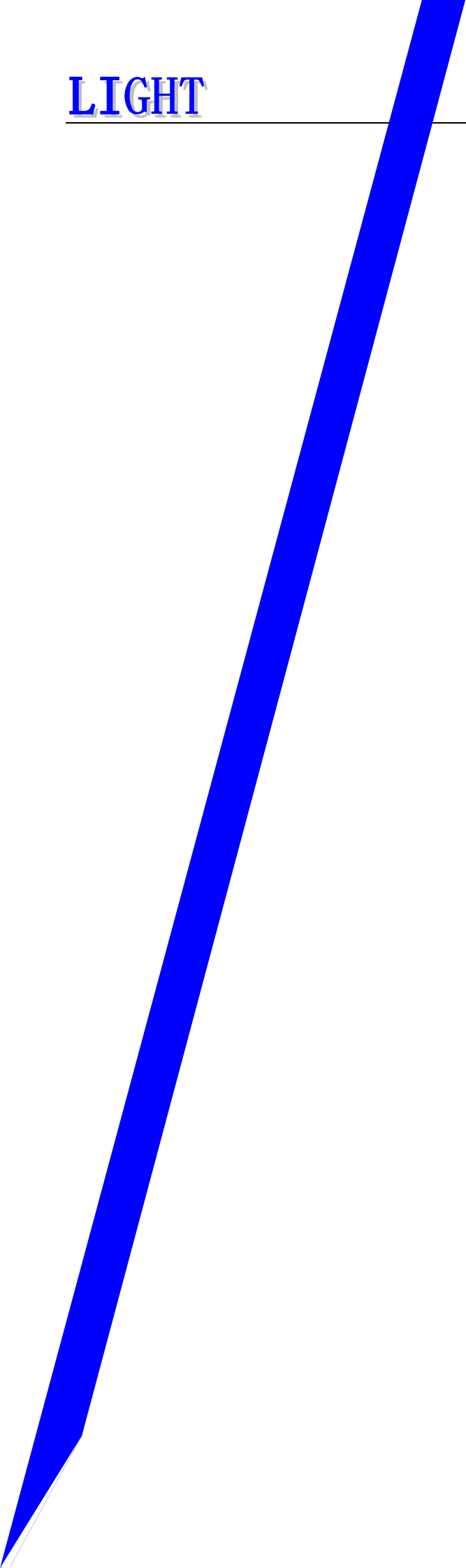
SPEC.NO.: SZ18080411
DATE: 2021/02/20
REV. A/4

Approved By:

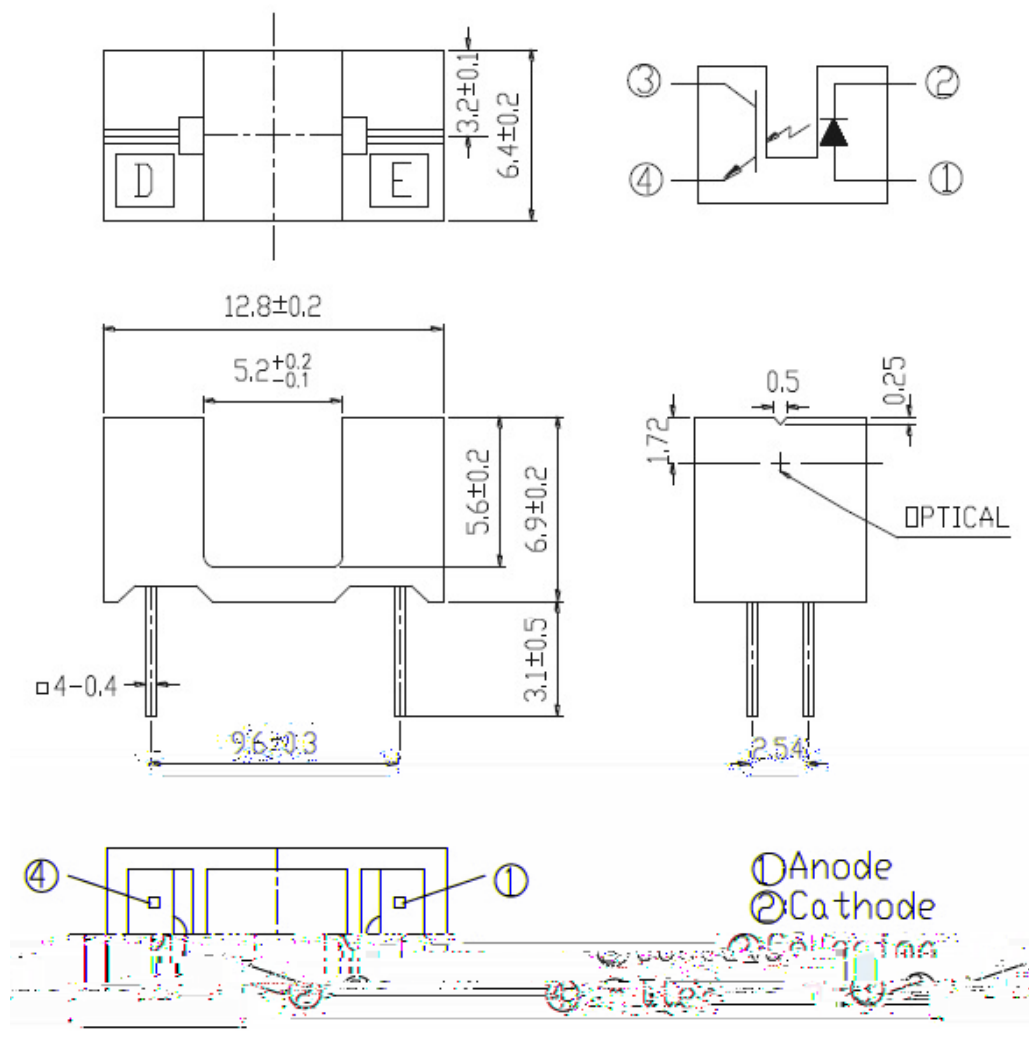
Checked By:

Prepared By:

LIGHT



Package Dimensions



Notes:

1. All dimensions are in millimeters.
2. Tolerances unless dimensions ± 0.2 mm.

Absolute Maximum Ratings (Ta=25)

| Parameter | | Symbol | Ratings | Unit |
|--|--|-----------|---------|------|
| Input | Power Dissipation at(or below) 25 Free Air Temperature | P_d | 75 | mW |
| | Reverse Voltage | V_R | 5 | V |
| | Forward Current | I_F | 50 | mA |
| | Peak Forward Current(*1) Pulse width 100μs, Duty cycle=1% | I_{FP} | 1 | A |
| Output | Collector Power Dissipation | P_C | 75 | mW |
| | Collector Current | I_C | 20 | mA |
| | Collector-Emitter Voltage | V_{CEO} | 30 | V |
| | Emitter-Collector Voltage | V_{ECO} | 5 | V |
| Operating Temperature | | T_{opr} | -25~+85 | |
| Storage Temperature | | T_{stg} | -40~+85 | |
| Lead Soldering Temperature (*2) (1/16 inch from body for 5 seconds) | | T_{sol} | 260 | |

(*1) $t_w = 100 \mu\text{sec.}$, $T = 10 \text{ msec.}$ (*2) $t = 5 \text{ Sec.}$

Electro-Optical Characteristics (Ta=25)

| Parameter | | Symbol | Min. | Typ. | Max. | Unit | Condition |
|-----------|------------------------|-------------|------|------|------|------|----------------------------------|
| Input | Forward Voltage | V_F | --- | 1.2 | 1.6 | V | $I_F = 20\text{mA}$ |
| | Reverse Current | I_R | --- | --- | 10 | μA | $V_R = 5\text{V}$ |
| | Peak Wavelength | λ_p | -- | 940 | --- | nm | $I_F = 20\text{mA}$ |
| Output | Collector Dark Current | I_{CEO} | --- | --- | 100 | nA | $V_{CE} = 10\text{V}$, E_F |

Typical Electrical/Optical/Characteristics Curves for IR

Fig.1 Forward Current vs. Ambient Temperature

Fig.2 Spectral Distribution



Typical Electrical/Optical/Characteristics Curves for PT

Fig.1 Spectral Sensitivity

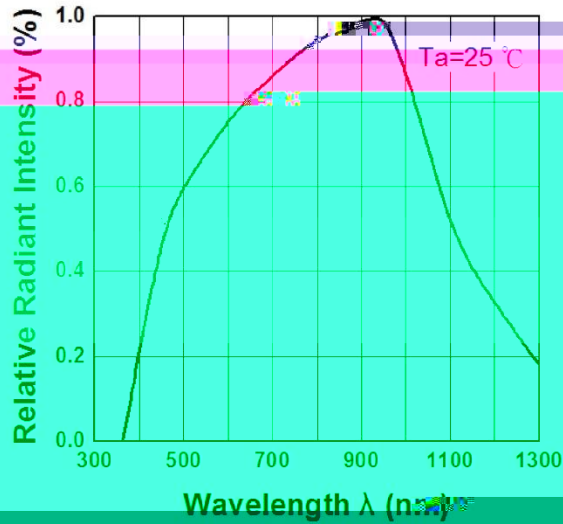


Fig.2 Collector Current vs. Irradiance

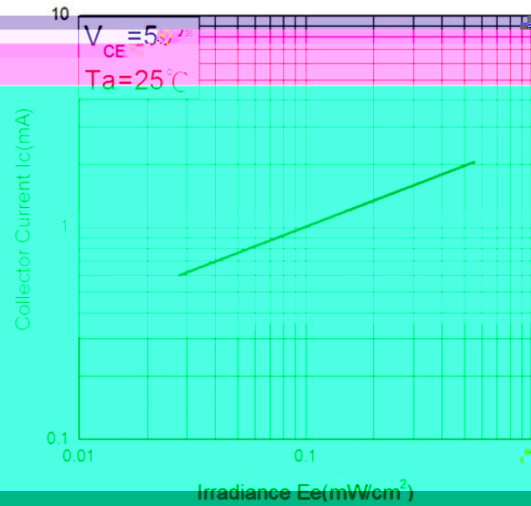
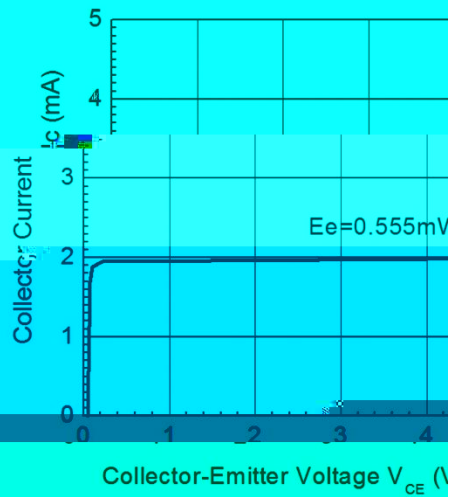


Fig.3 Collector Current vs. Collector-Emitter Voltage

Fig.3 Collector Current vs. Collector-Emitter Voltage



)