

SL-T0603IRC020-L55 DATA SHEET

SPEC. NO. : SZ20050901
DATE : 2020/10/22
REV. : A/2

Approved By:

Checked By:

Prepared By:

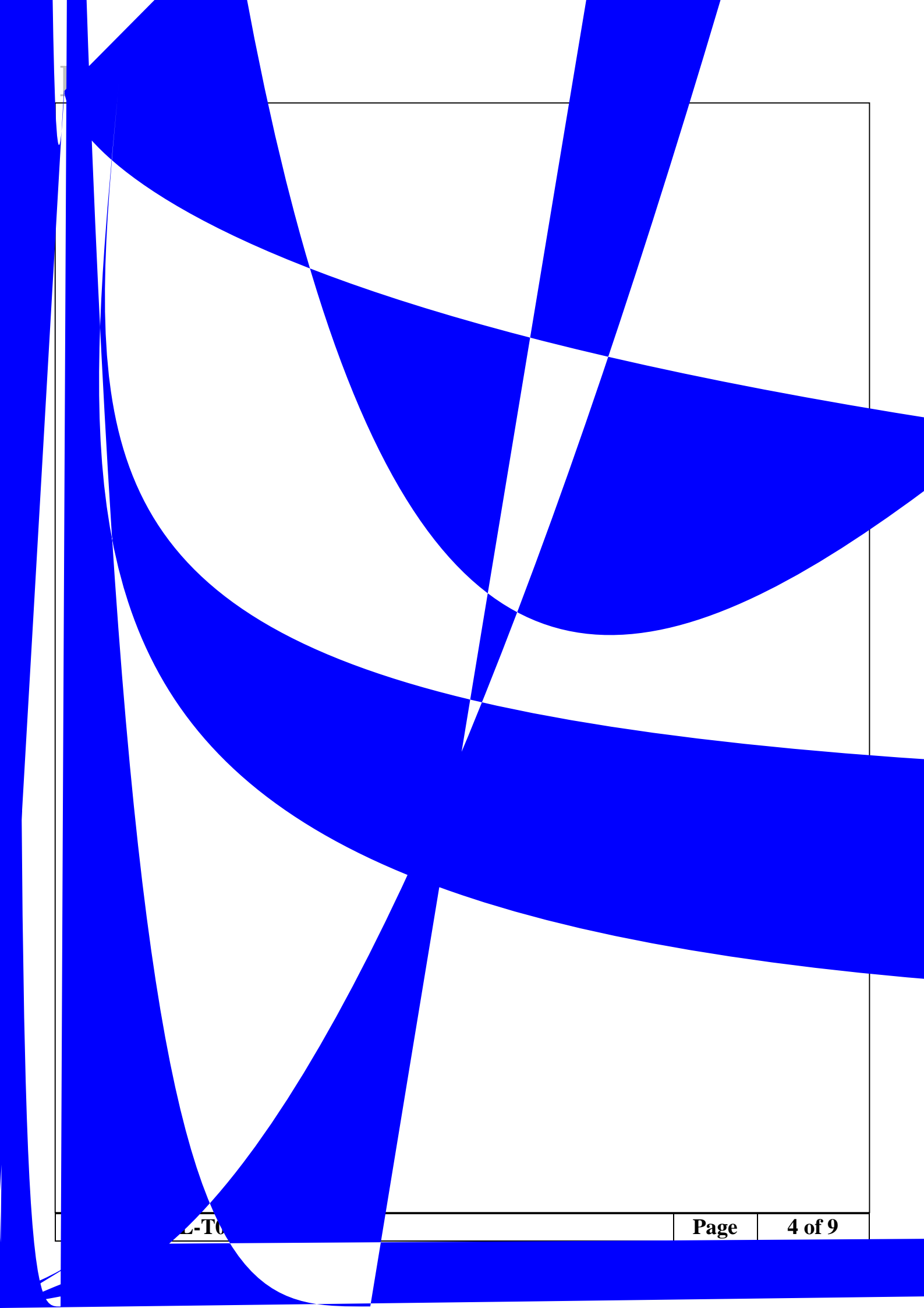


5



0.18

olor
lear



L

Typical E_a
(25°C Ambie.

Infrared Emitting Diode Specification

●Commodity: Infrared Emitting Diode



●Radiant Intensity Bin Code (At 20mA)

BIN CODE	Min.(mW/sr)	Max. (mW/sr)
15	1.3	1.55
16	1.55	1.85
17	1.85	2.2
18	2.2	2.6
...



NOTE: The I_e guarantee should be added ±15% tolerance.

Label Explanation

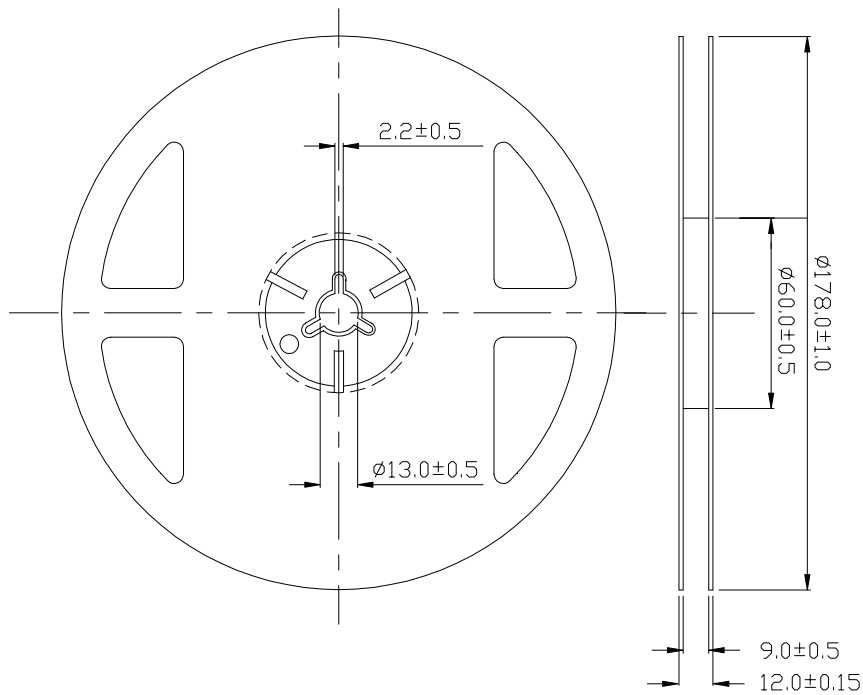
LIGHT Universal Label
(Reel Label)

LIGHT		
Light Electronics CO., LTD.		
MODEL NAME: _____	 LOT NO.: _____	
QUANTITY: _____		
BIN: _____		
PACKING DATE: _____		
REMARKS: _____		

Customer Defined Label
(Aluminum Moisture Proof Bag Label)

LIGHT		
Light Electronics CO., LTD.		
MODEL NAME: _____	 LOT NO.: _____	
QUANTITY: _____		
BIN: _____		
PACKING DATE: _____		
CUSTOMER P/N: _____		

Reel Dimensions



Note: Tolerance unless mentioned is ± 0.2 mm; Unit = mm

LIGHT

