



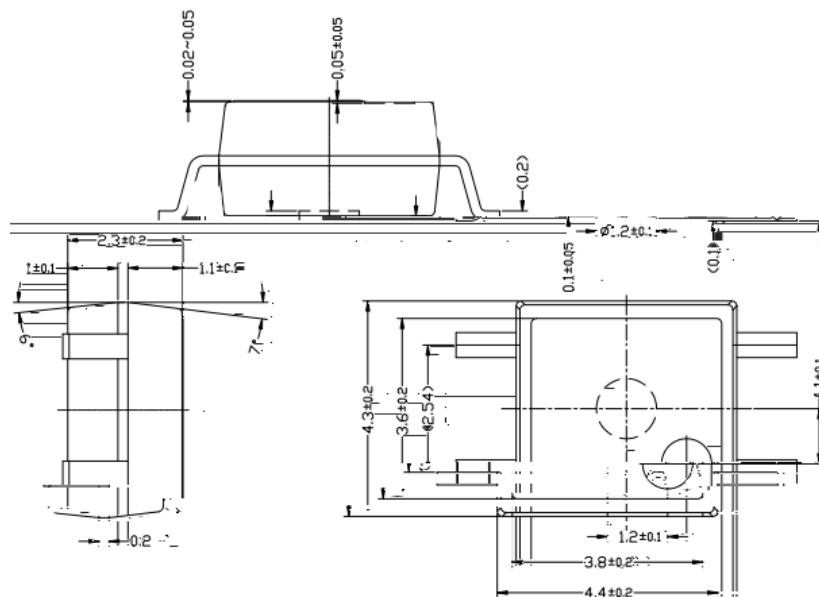
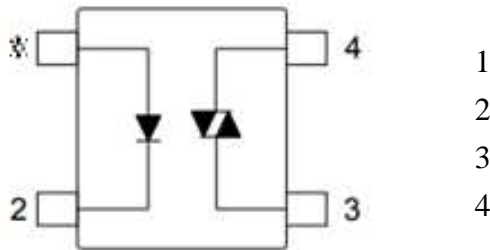
P160

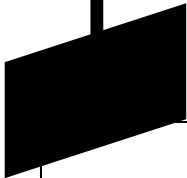
P160

600 V  
LED 10mA  
2500 Vrms

AC

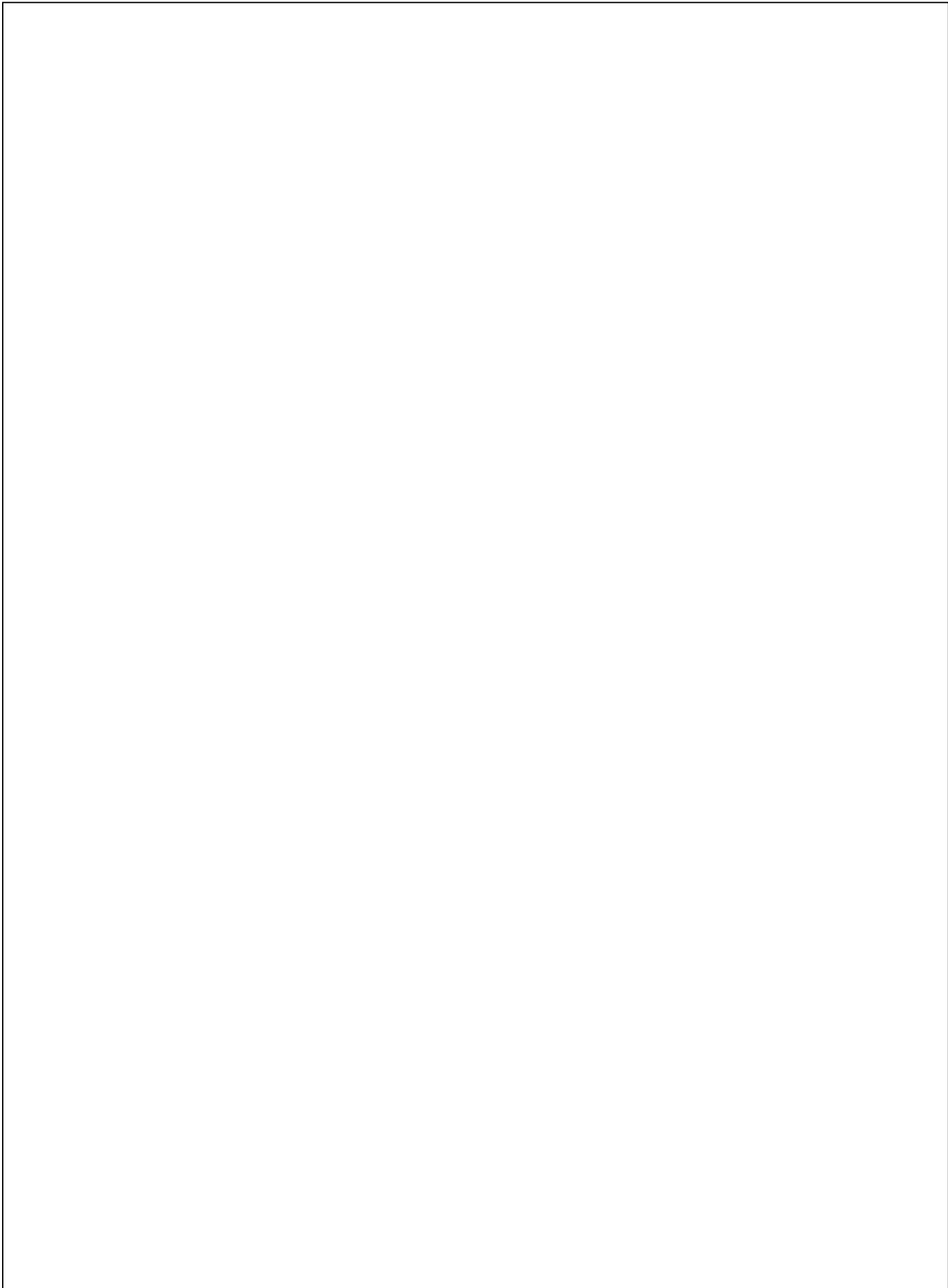
● Schematic



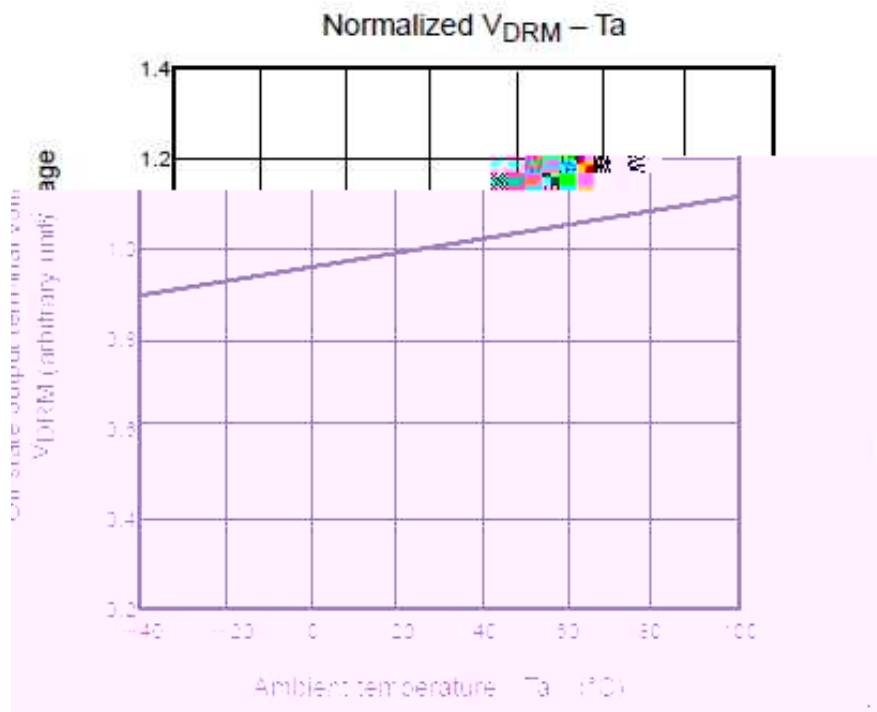
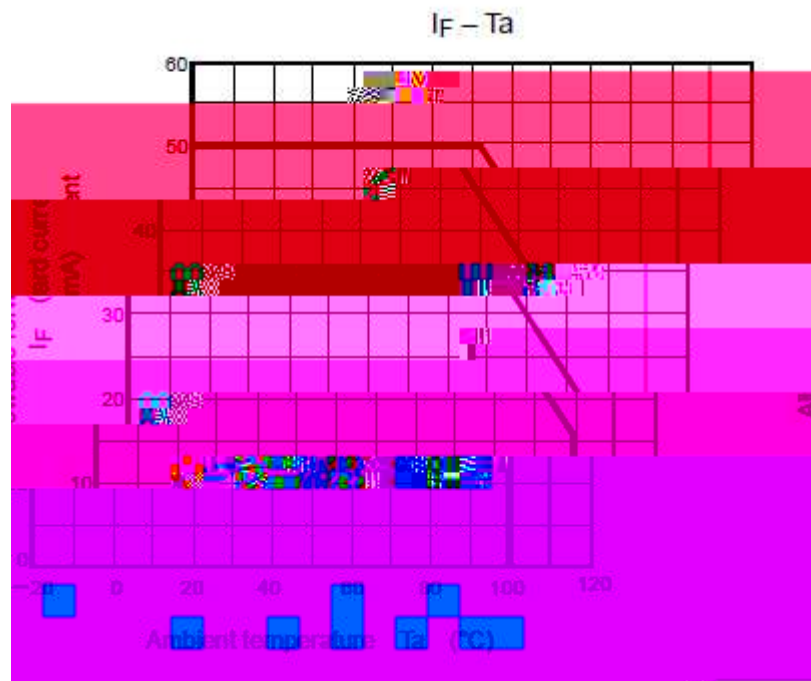


LED		IF	50	mA
		VR	5	V
		IFP	1	A
		IF/	-0.7	mA/
		VDRM	600	V
RMS	Ta=25	IT	70	mA
	Ta=70		40	
		IT/	-0.7	mA/
		Tstg	-40~150	
		Topr	-40~85	
		Tsol	260(10s)	
		PD/	-4.0	mW/

LI



--	--	--	--



L

**+e**

