

LG-ITR2C-554624

DATA SHEET

SPEC.NO.: SZ19060410
DATE: 2019/06/04
REV. A/0

Approved By:

Checked By:

Prepared By:

■ Features

- Fast response time
- High analytic
Cut-off visible wavelength $\lambda_c=940\text{nm}$
- High sensitivity
- Pb free
- The product itself will remain within RoHS compliant version

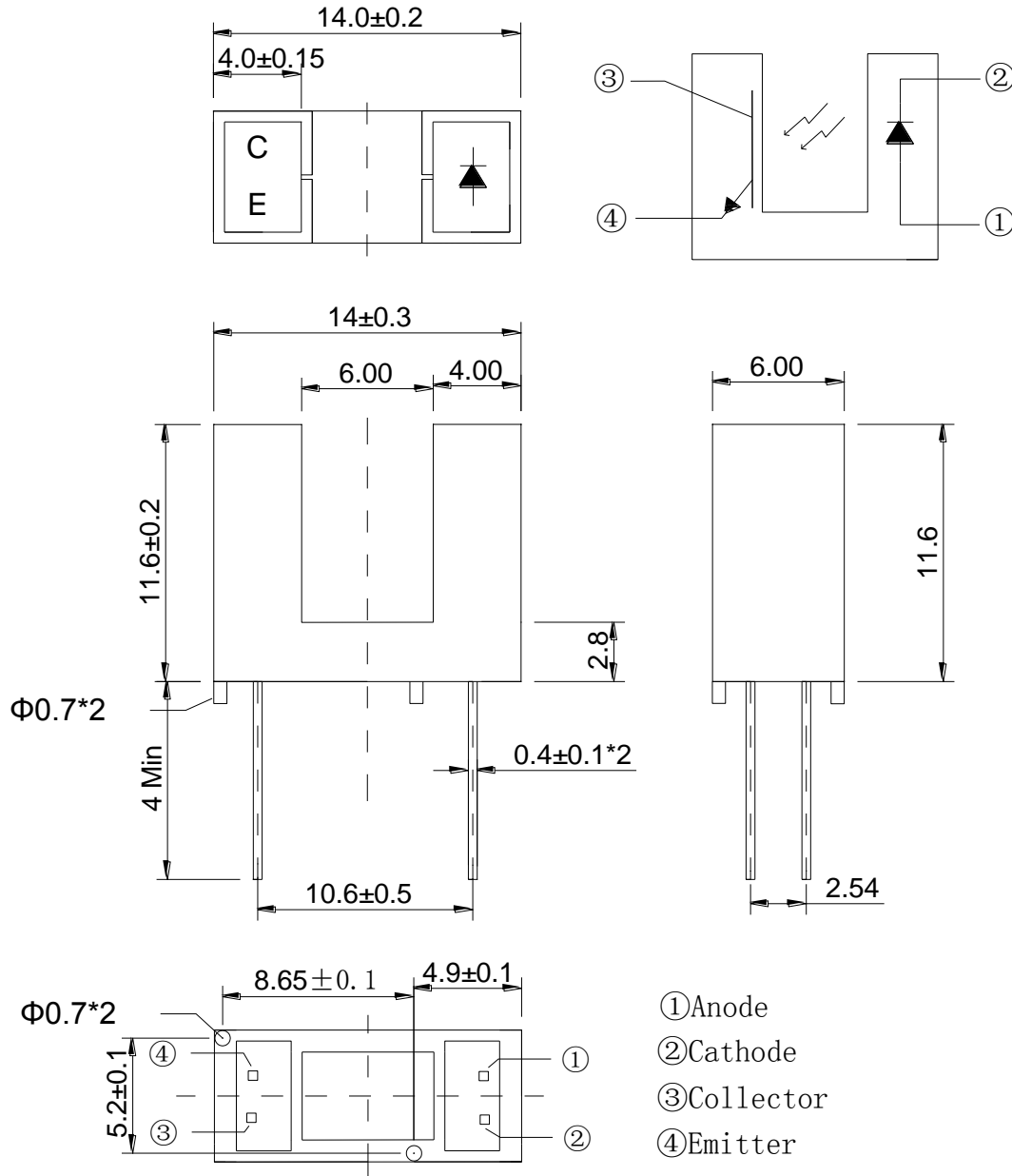
LG-ITR2C-554624

- Mouse Copier
- Switch Scanner
- Floppy disk driver
- Non-contact Switching
- For Direct Board

■ Device Selection Guide

Device No.	Chip Material	LENS COLOR
IR	GaAlAs	Water Clear
PT	Silicon	Water Clear

Package Dimensions



- ① Anode
- ② Cathode
- ③ Collector
- ④ Emitter

Notes:

1. All dimensions are in millimeters.
2. Tolerance is ± 0.20 mm unless otherwise noted.
3. Lead spacing is measured where the leads emerge from the package.

